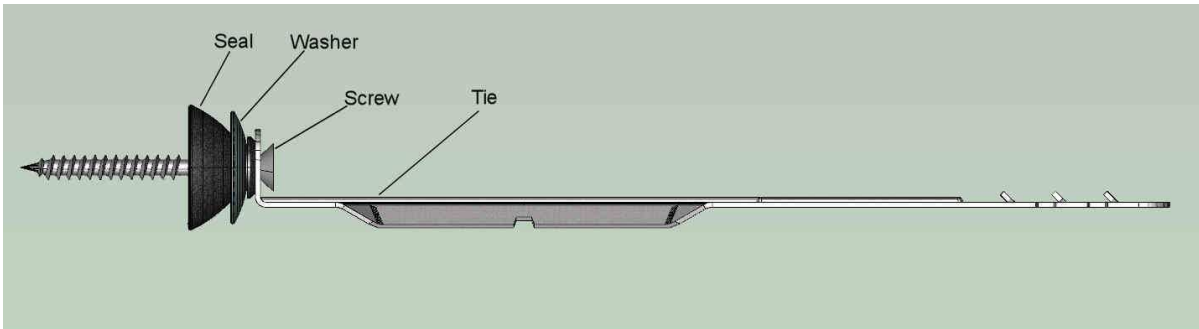


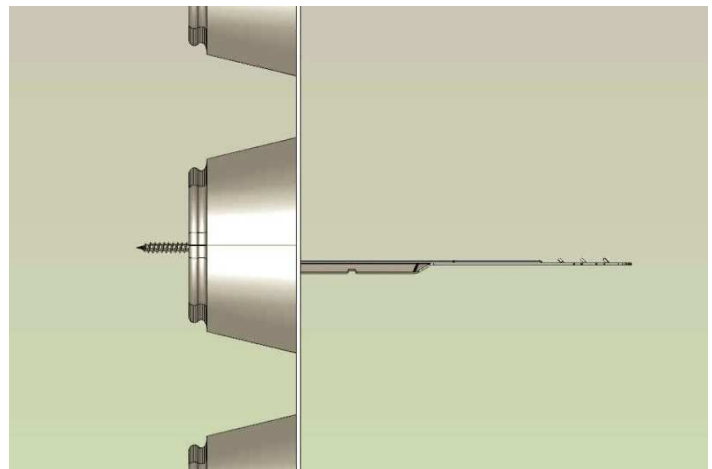
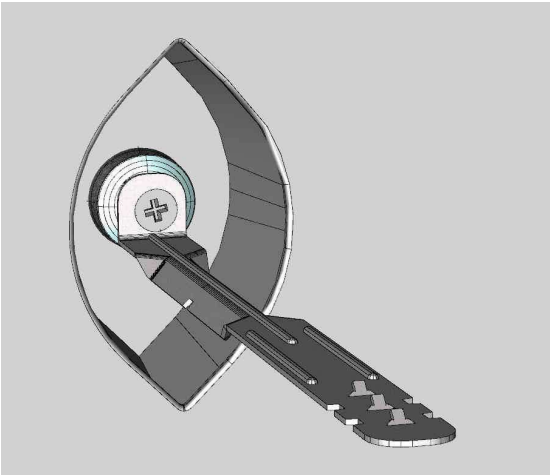


Fixing a timber frame tie through the back of a SureCav pod

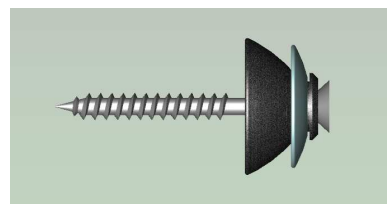
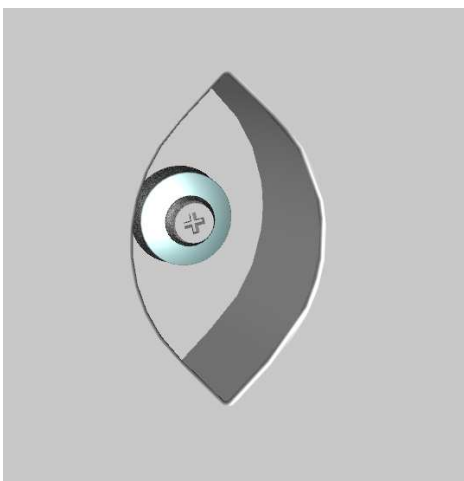
1. Ensure that components are assembled in the right order



2. Looking into the open pod face the fixing should look as shown below



3. If additional fixings are required and ties are not needed then just fix the Surecav panel through the back of the pod using a screw, seal and washer as shown below.



For more applications using SureCav visit www.surecav.com

SureCav Ltd. Tel: 01963 34660

SureCav Ltd • Holbrook Lodge • Holbrook • Wincanton • Somerset BA9 8BT
24hr Tel: 01963 34660 • Mobile: 07971 484164 • Fax: 01963 32441/33700
email: info@surecav.co.uk • www.surecav.co.uk