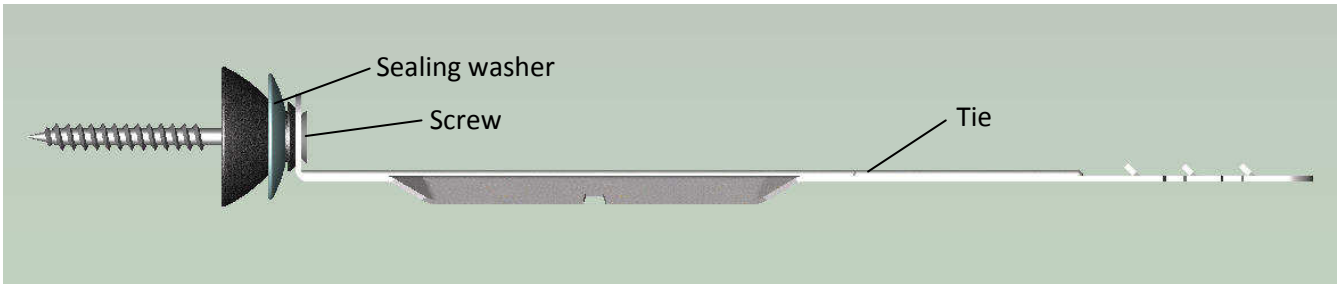


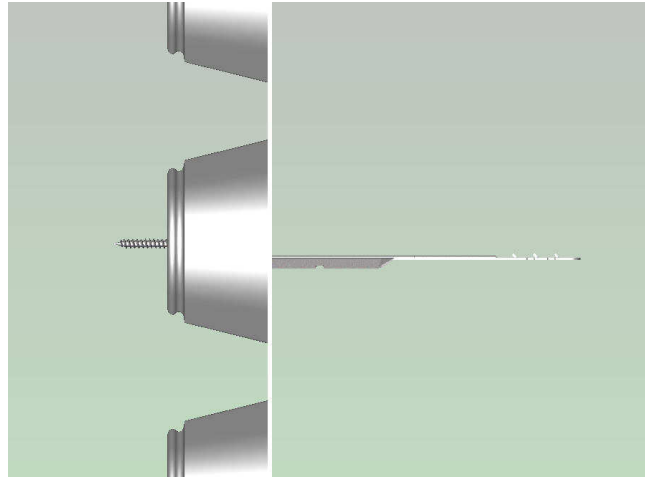
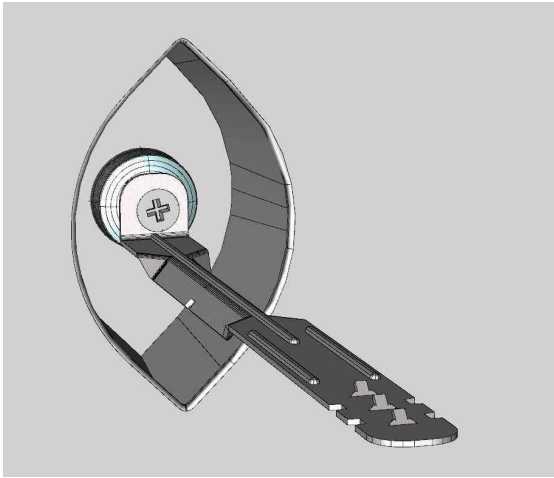


Fixing a timber frame tie through the back of a SureCav pod

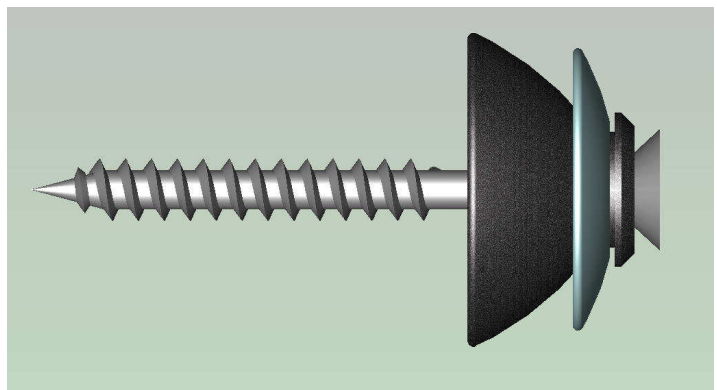
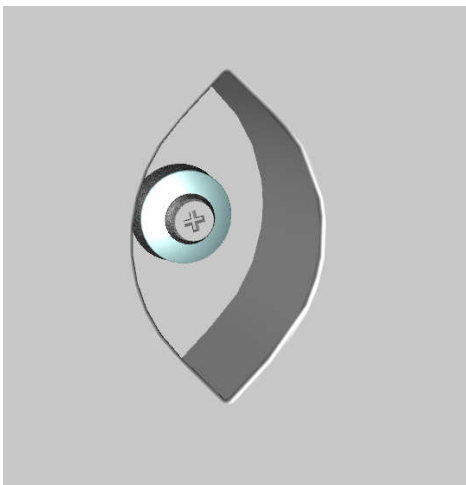
1. Ensure that components are assembled in the right order



2. Looking into the open pod face the fixing should look as shown below



3. If additional fixings are required and ties are not needed then just fix the Surecav panel through the back of the pod using a screw, seal and washer as shown below.



**Note: Sealing washers can now be purchased from SureCav Ltd.
See our web site for details**

For more applications using SureCav visit www.surecav.com
SureCav Ltd. Tel: 01963 34660